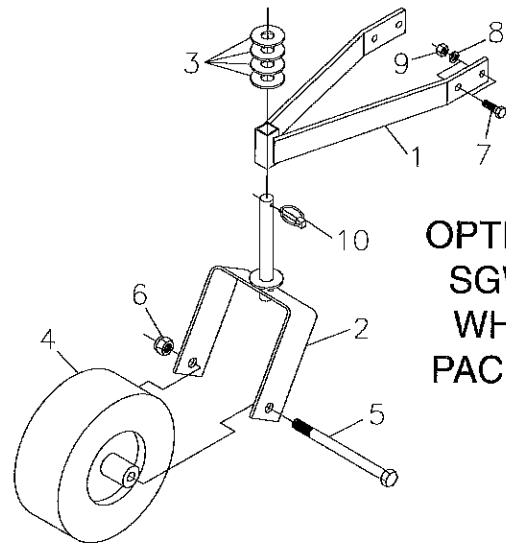
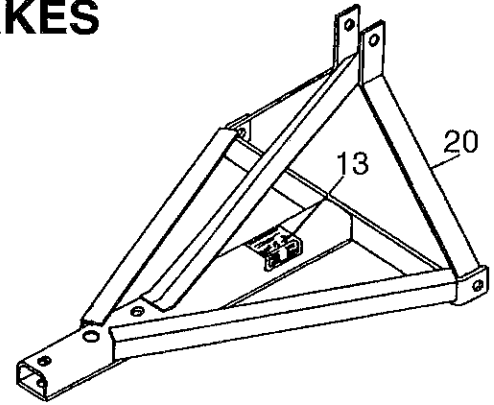
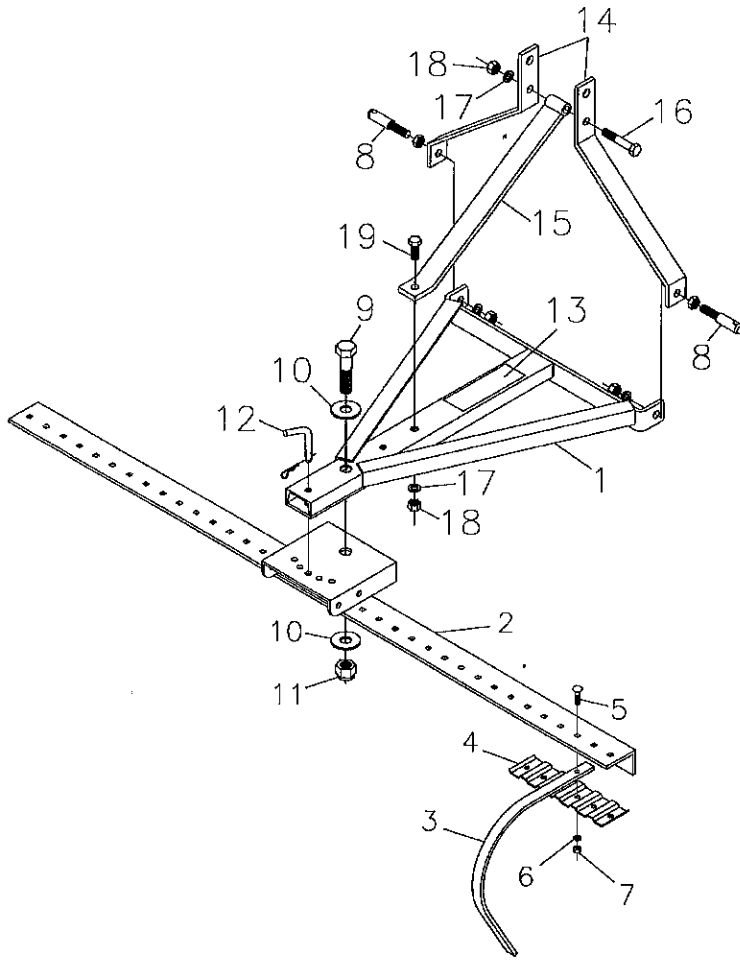


# DCR LANDSCAPE RAKES



**OPTIONAL  
SGW-10  
WHEEL  
PACKAGE**

REF. NO.	PART NO.	DESCRIPTION	NO. REQ.
1	345120	3 Pt. Mount Frame	1
2	341701	Tinebar Weldment - 4 ft.	1
	341711	Tinebar Weldment - 5 ft.	1
	341721	Tinebar Weldment - 6 ft.	1
3	341704	Rake Tooth - 4 ft.	24
		Rake Tooth - 5 ft.	30
		Rake Tooth - 6 ft.	36
4	341705	Tooth Support - 4 ft.	4
		Tooth Support - 5 ft.	5
		Tooth Support - 6 ft.	6
5	2503103	Carriage Bolt $\frac{3}{8}$ " - 16 NC x $1\frac{1}{2}$ " - 4 ft.	24
		Carriage Bolt $\frac{3}{8}$ " - 16 NC x $1\frac{1}{2}$ " - 5 ft.	30
		Carriage Bolt $\frac{3}{8}$ " - 16 NC x $1\frac{1}{2}$ " - 6 ft.	36
6	2502008	Lockwasher $\frac{3}{8}$ " Spring - 4 ft.	24
		Lockwasher $\frac{3}{8}$ " Spring - 5 ft.	30
		Lockwasher $\frac{3}{8}$ " Spring - 6 ft.	36
7	2500004	Nut $\frac{3}{8}$ " - 16 NC Full Hex - 4 ft.	24
		Nut $\frac{3}{8}$ " - 16 NC Full Hex - 5 ft.	30
		Nut $\frac{3}{8}$ " - 16 NC Full Hex - 6 ft.	36
8	590167	Cat. I Drawpin (AK-482)	2
	590122	Cat. 0 Drawpin - Optional $\frac{5}{8}$ " (AK-481)	2
9	2503226	Bolt 1" - 8 NC x 4" Hex Head	1
10	2501001	Washer 1" Flat	2
11	2500045	Nut 1" - 8 NC Nylock Hex	1
12	341826	Shift Pin with Hair Clip Pin	1
13	101148	Decal - Caution	1

REF. NO.	PART NO.	DESCRIPTION	NO. REQ.
14	345123	Bar, Toplink	2
15	345145	Brace, Toplink	1
16	2503049	Bolt $\frac{5}{8}$ " - 11 NC x $3\frac{1}{2}$ " Hex Head	1
17	2502007	Washer $\frac{5}{8}$ " Springlock	2
18	2500013	Nut $\frac{5}{8}$ " - 11 NC Full Hex	2
19	2503047	Bolt $\frac{5}{8}$ " - 11 NC x $1\frac{1}{2}$ " Hex Head	1
20	345101	3 Pt. Mount Weldment (one piece) (May be used instead of 345120)	-

## SGW-10 WHEEL PACKAGE (OPTIONAL)

REF. NO.	PART NO.	DESCRIPTION	NO. REQ.
1	341786	Wheel Support Arm	1
2	341779	Wheel Mount	1
3	2501001	Washer 1" Flat	22
4	341772	Wheel Assembly (13.00 x 5.00)	1
5	2503188	Bolt $\frac{3}{4}$ " - 10 NC x $9\frac{1}{2}$ " Hex Head	1
6	2500037	Nut $\frac{3}{4}$ " - 10 NC Hex Nylock	1
7	2503004	Bolt $\frac{1}{2}$ " - 13 NC x $1\frac{1}{2}$ " Hex Head	4
8	2502002	Washer $\frac{1}{2}$ " Springlock	4
9	2500003	Nut $\frac{1}{2}$ " - 13 NC Full Hex	4
10	590034	Linch pin $\frac{1}{4}$ " (AK-61)	1